



Installation Instructions for IUP006K
To Suit Nissan Navara D22
ENGINE BAY and
TRANSMISSION CASE Protection Plate



NISSAN Navara ((D22), 2,5TD)

1997 -

Part Number:

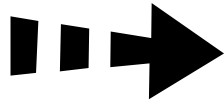
IUP006K

Installation Time:

30 min



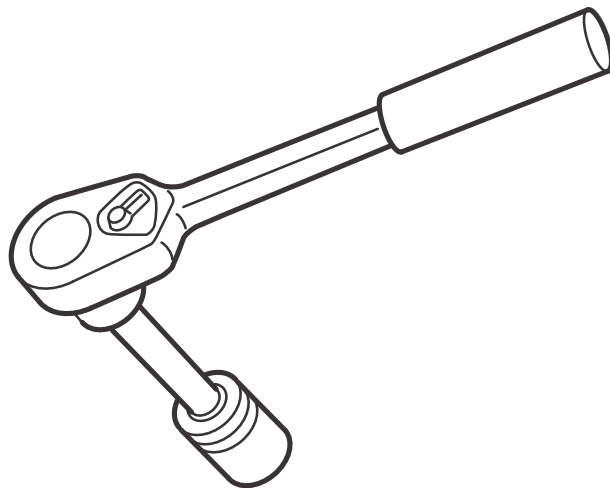
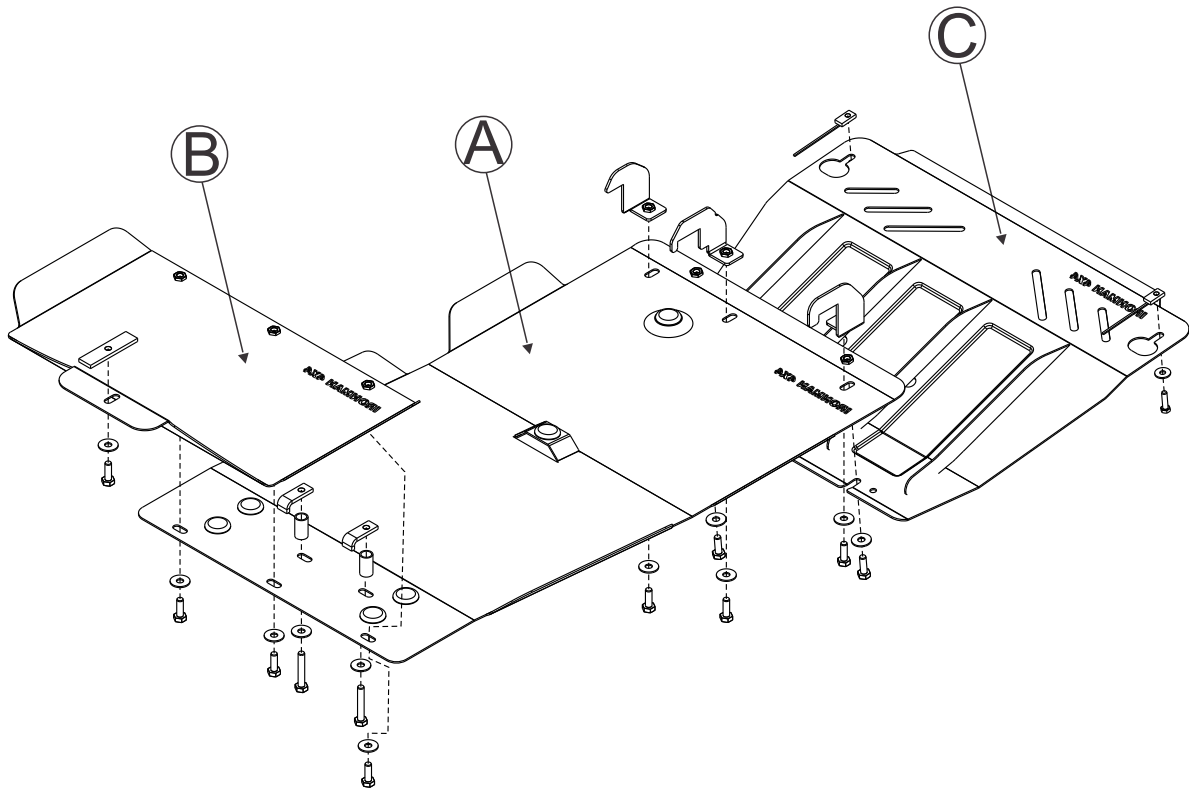
Location Position Arrow

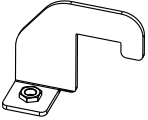
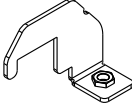
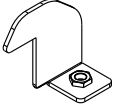
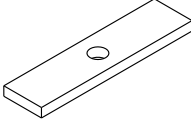
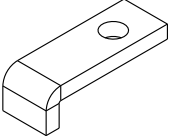
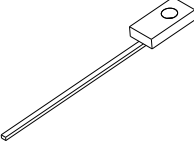
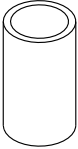
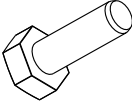
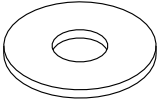
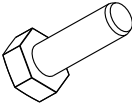
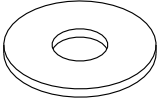
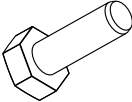



Movement Arrow

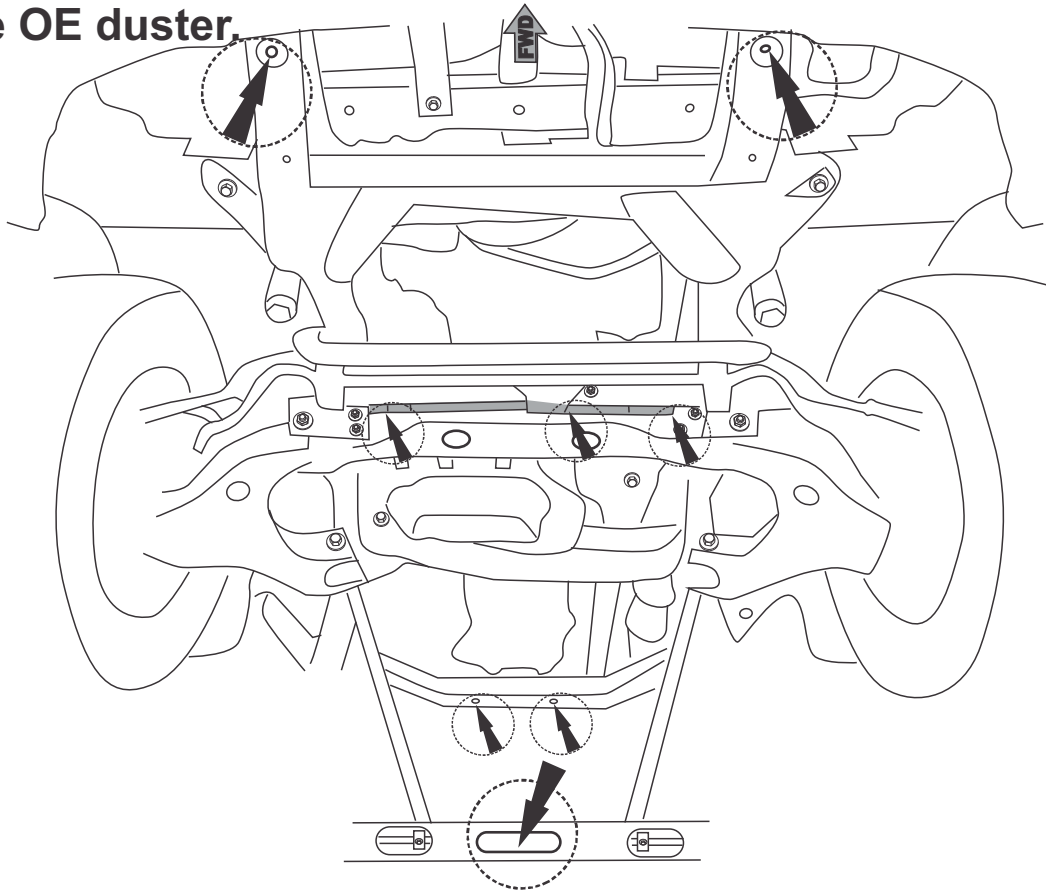


Screw Arrow

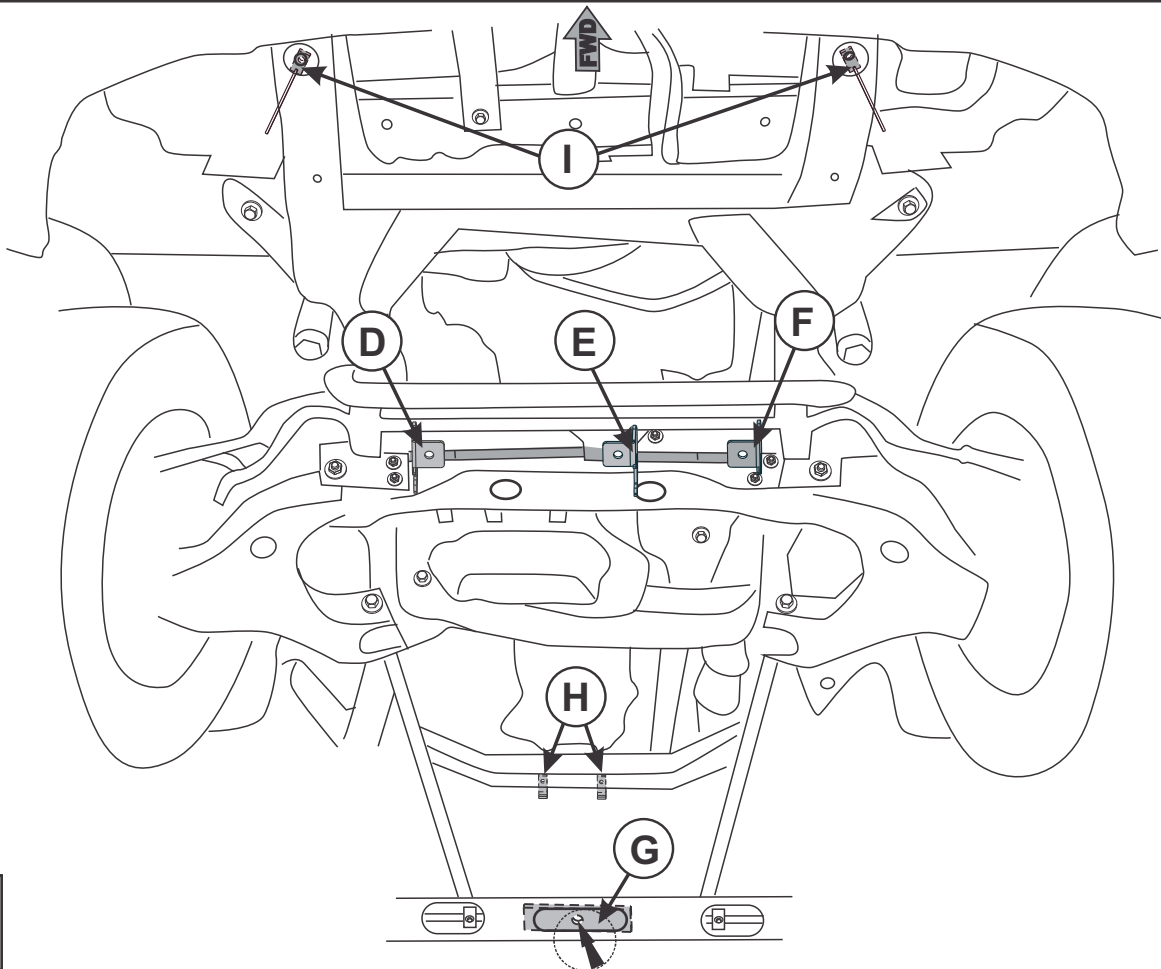


D		E	
	1X		1X
F		G	
	1X		1X
H		I	
	2X		2X
J		K	
	2X		M8x30 2X
L		M	
	\varnothing 8 2X		M10x30 9X
N		O	
	\varnothing 10 11X		M10x60 2X
	IUP006K		3/6

Remove OE duster.



1

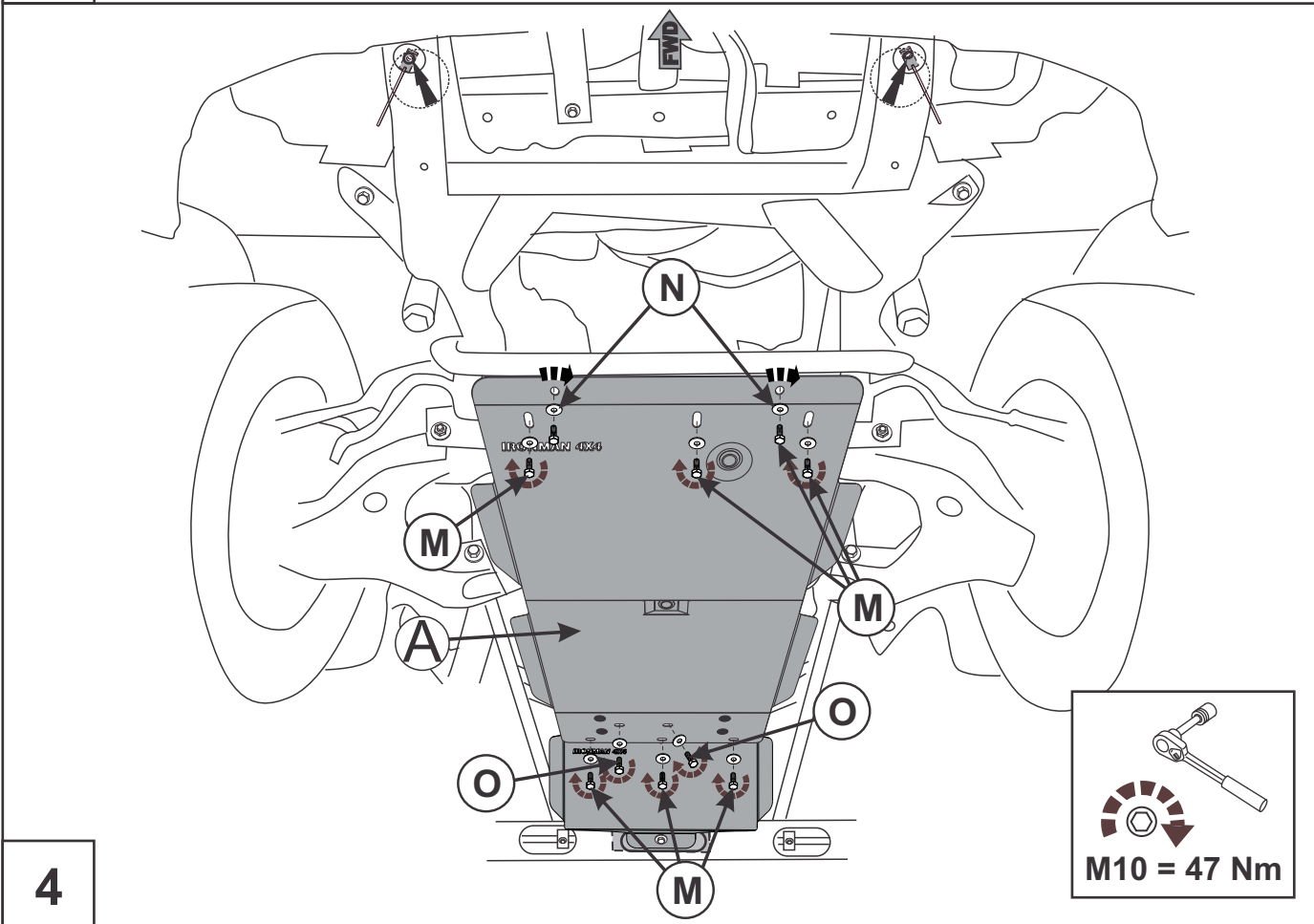
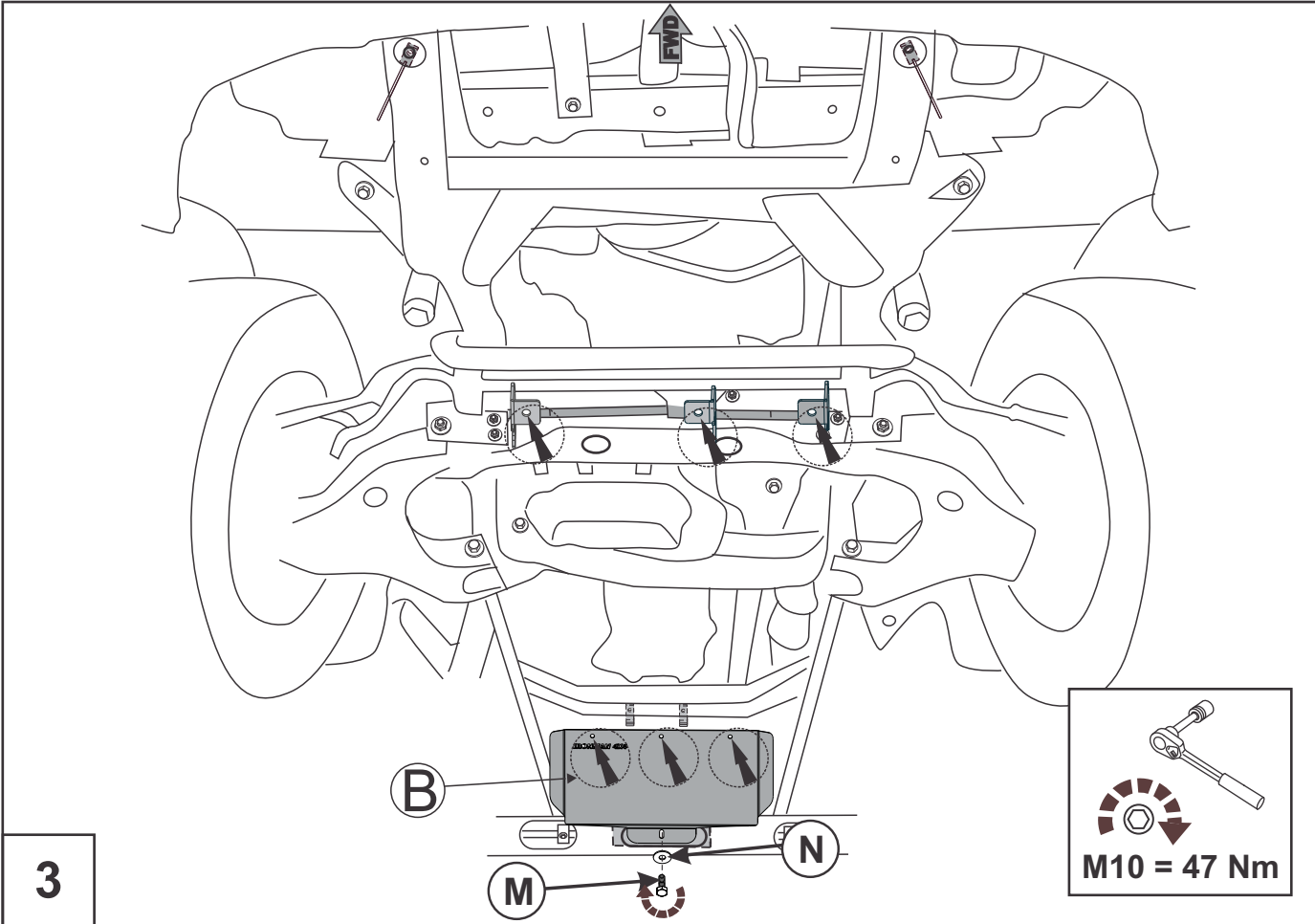


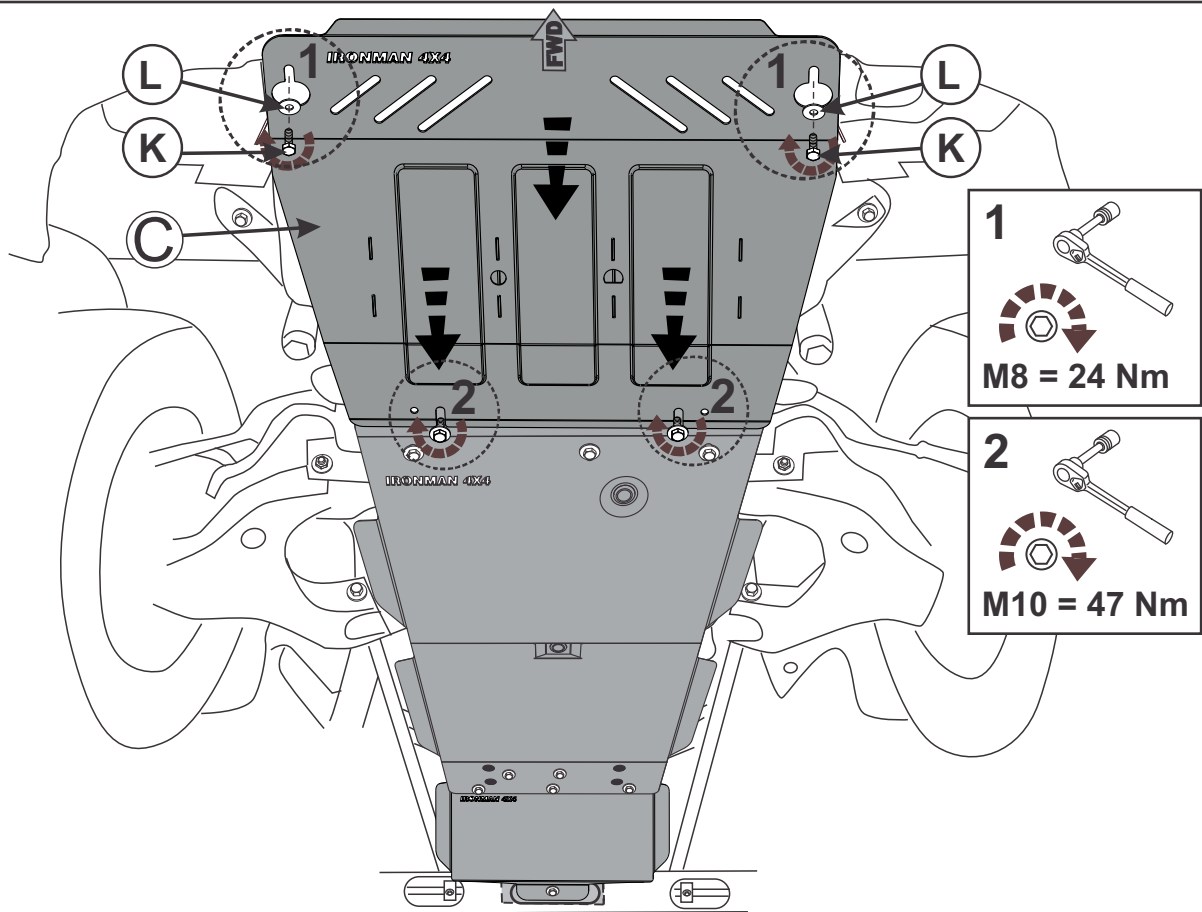
2



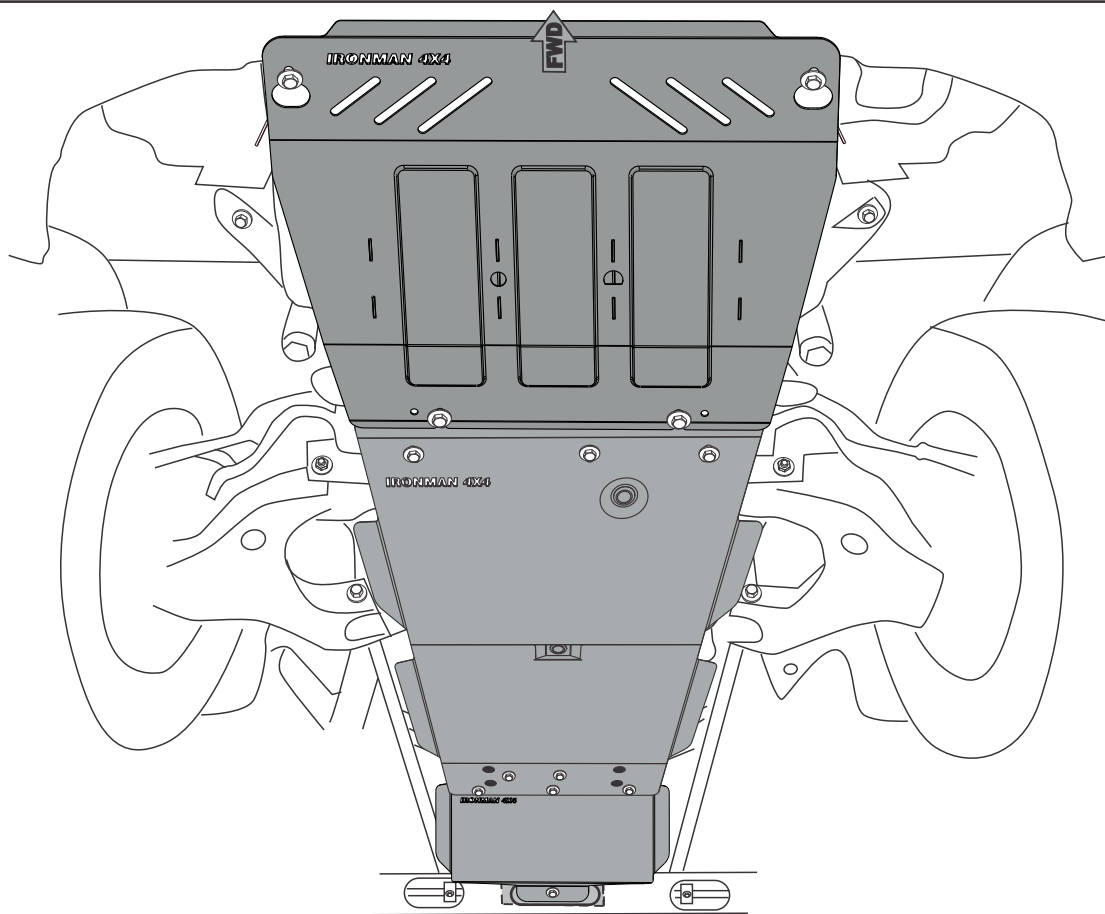
IUP006K

4/6





5



6

www.ironman4x4.com



IUP006K

6/6